

Twin Lobe Roots Blower

(Air Cooled & Water Cooled)

PR Series

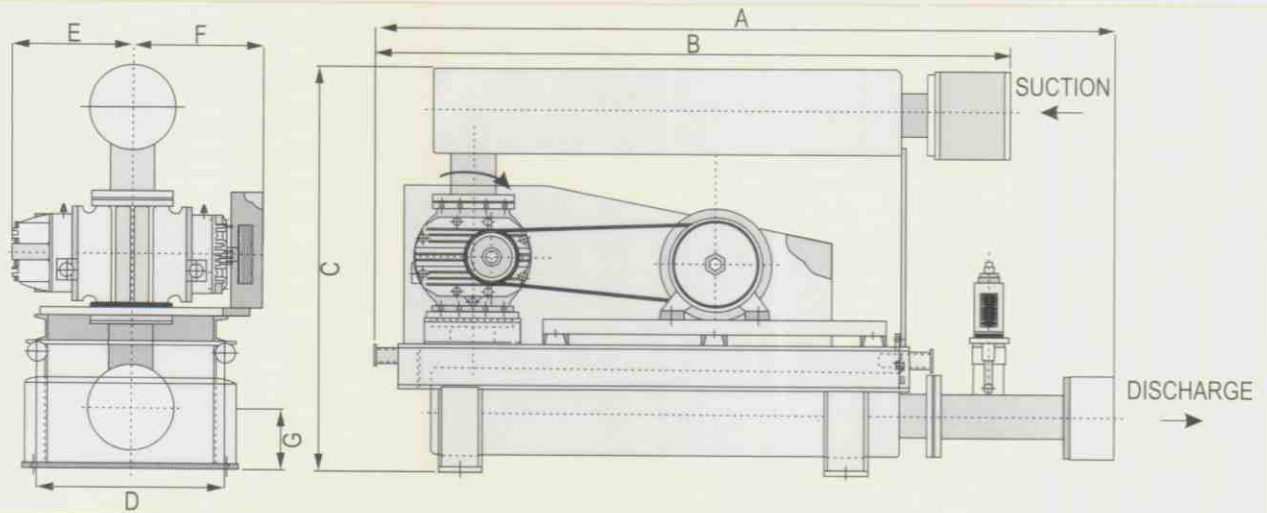
PRP Series



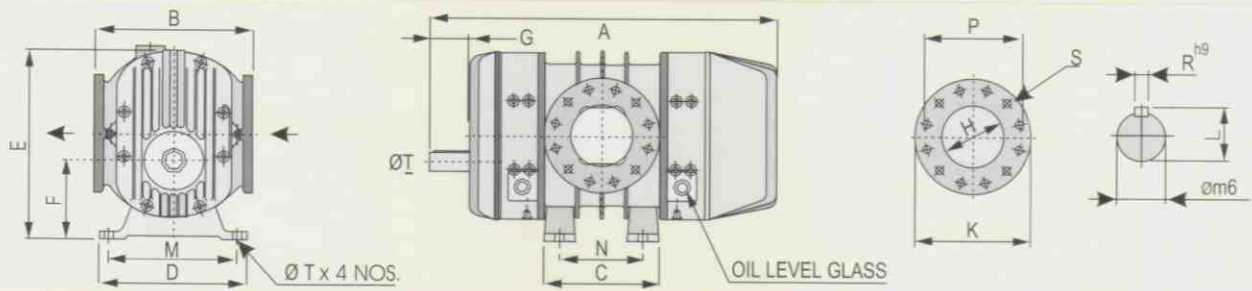
PPI PUMPS PVT. LTD.

ISO 9001 CERTIFIED

AIR COOLED



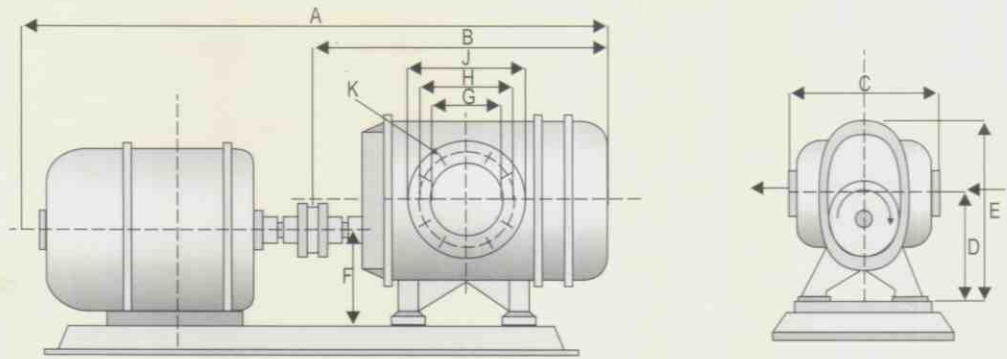
MODEL	CAPACITY (M ³ /Hr.)	SPEED (IN R.P.M.)	MAX POWER (H.P.)	A	B	C	D	E	F	G
PRK-10	70 - 325	1196 - 4000	16	1350	1125	865	490	262	330	185
PRK-12	95 - 525	965 - 3800	24	1565	1330	1020	560	297	360	170
PRK-14	145 - 725	965 - 3800	33	1670	1440	1115	660	317	395	225
PRK-16	201 - 955	850 - 3220	44	2010	1760	1295	720	352	450	270
PRK-19	310 - 1325	820 - 2900	57	2010	1760	1325	720	395	490	280
PRK-22	500 - 1830	765 - 2415	79	2230	2050	1510	810	440	530	320
PRK-26	775 - 2450	725 - 2035	107	2695	2365	1765	930	495	550	380
PRK-30	980 - 3630	570 - 1840	160	2850	2535	1840	870	575	630	350
PRK-36	1900 - 5650	600 - 1635	245	3015	3135	2100	1010	640	730	385
PRK-42	3100 - 7500	600 - 1400	320	3855	3555	2440	1150	715	785	445
PRK-50	4400 - 11000	510 - 1200	450	5000	4700	3100	1506	865	935	715



MODEL	A	B	C	D	E	F	G	H	K	L	Ø	M	N	ØT	P	R	S
PR-10	515	224	150	220	275	112	60	70	160	28	25	180	100	14	130	8	4xM12
PR-12	602	264	176	240	320	132	80	80	190	33	30	205	120	14	150	8	4xM16
PR-14	644	280	196	260	337	132	80	100	210	38.5	35	220	140	18	170	10	4xM16
PR-16	707	320	234	300	400	160	80	125	240	41.5	38	260	170	18	200	10	8xM16
PR-19	820	360	268	340	448	180	110	150	265	45.5	42	300	200	18	225	12	8xM16
PR-22	905	400	315	380	508	200	110	175	295	52	48	340	240	18	255	14	8xM16
PR-26	1010	450	370	430	595	225	140	200	320	64	60	380	295	18	280	18	8xM16
PR-30	1165	500	445	480	675	250	140	250	375	74.5	70	430	360	22	335	20	12xM16
PR-36	1330	630	540	580	770	280	170	300	440	85	80	520	440	22	395	20	12xM20
PR-42	1460	710	640	680	880	315	170	350	490	95	90	620	540	26	445	25	12xM20
PR-50	1755	850	-	-	-	-	210	400	540	111.5	105	-	-	30	495	28	16xM20

All dimensions are in mm

WATER COOLED



MODEL	Weight Kg.	Suction Pipe Ø	Discharge Pipe Ø	A	B	C	D	E	F	H	I	J	K
PRP-40	150	100	100	1,200	650	360	188	343	140	100	170	210	4x18
PRP-60	240	150	125	1,720	865	400	252	458	185	150	225	265	8x18
PRP-150	570	225	175	2,150	1,050	600	342	640	240	225	305	342	8x18
PRP-300	1,100	300	250	2,700	1,425	800	446	830	310	300	395	440	12x20
PRP-400	1,425	350	300	2,900	1,575	800	446	830	310	350	445	490	12x22

All dimensions are in mm.

PERFORMANCE DATA

MODEL	Pressure	500 mbar		600 mbar		700 mbar		800 mbar		900 mbar		1000 mbar	
	Rpm	M ³ /Hr.	kw	M ³ /Hr.	kw	M ³ /Hr.	kw	M ³ /Hr.	kw	M ³ /Hr.	kw	M ³ /Hr.	kw
PRP-40	1,450	-	-	126	4.8	124	5.6	122	6.3	120	7	118	7.8
	2,850	-	-	367	9.4	362	10.8	358	12.1	354	13.7	350	15.2
PRP-60	1,450	-	-	580	15	570	17	560	19.4	555	21.6	550	23.8
	2,000	-	-	870	20	860	23	850	26.1	840	29	835	32
PRP-150	980	-	-	1,270	30	1,250	34.3	1,230	39.5	1,220	44	1,210	48.5
	1,450	-	-	2,010	45	1,980	51.5	1,960	58.2	1,940	64.9	1,920	71.6
PRP-300	725	-	-	2,500	58	2,450	67	2,400	76	2,360	85	2,320	93.2
	980	-	-	3,570	80	3,520	91.8	3,480	103.7	3,440	115.6	3,410	126.8
PRP-400	725	3,150	61	3,080	72.7	3,070	84	3,010	95.1				
	980	4,500	84	4,460	98.8	4,400	115	4,350	129.8				

SPECIAL FEATURES

- ◆ Positive displacement machines with constant volume characteristics.
- ◆ Solid noise absorbing construction in grey cast iron.
- ◆ High precision helical timing gears for reliability and long life.
- ◆ Suitable for air, town gas, nitrogen, hydrogen, carbon dioxide, inert gases, natural gas, etc.
- ◆ 100% oil free compression
- ◆ Adjustable machine feet permit horizontal (PR Series) & vertical (PRK Series) flow of medium.
- ◆ Dynamically balanced rotor pair for vibration free operation.
- ◆ Blowers can be offered in direct or V-Belt drive arrangement.

TYPICAL APPLICATIONS

- ◆ Cement Blending, Aeration, Fluidization
- ◆ Chemical, Petrochem, Oil & Gas, Fertilizer Plants
- ◆ Pneumatic conveying - Cattlefeed, Cement, Grain, Flour, Plastic
- ◆ Sulphitation Process - Sugar industry
- ◆ Glass, Bulb, Dairy, Mining Industry
- ◆ Filter Bed Agitation - Water Treatment Plants
- ◆ Gas Boosting
- ◆ Slurry Agitation
- ◆ Centralised Vacuum Cleaning Plants
- ◆ Humidification - Loom Sheds
- ◆ Ash Handling in Power Sector



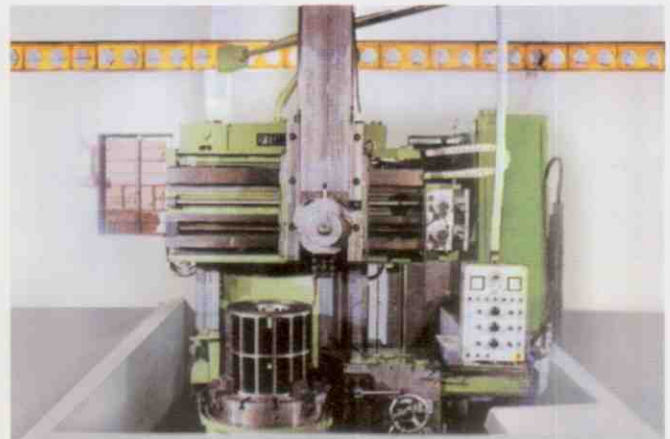
PLANT



ADMINISTRATION



ASSEMBLY



MANUFACTURING



PL- SERIES VACUUM PUMP



VW -SERIES VACUUM PUMPS



PPI PUMPS PVT. LTD.

4/2, Phase 1, G.I.D.C. Estate, Vatwa
Ahmedabad - 382445. India

Phone : (079) 5832273/4, 5835698

Fax : (079) 5830578

E-Mail : sales@prashant-ppi.com / info@ppipump.com

Website : www.prashant-ppi.com

ISO 9001 CERTIFIED

BRANCHES :

- NEW DELHI
- CHENNAI
- INDORE
- MUMBAI
- HYDERABAD
- KOLHAPUR
- KOLKATA