

# Water Ring Vacuum Pump & Compressor



**PPI PUMPS PVT. LTD.**

ISO 9001:2008 CERTIFIED COMPANY

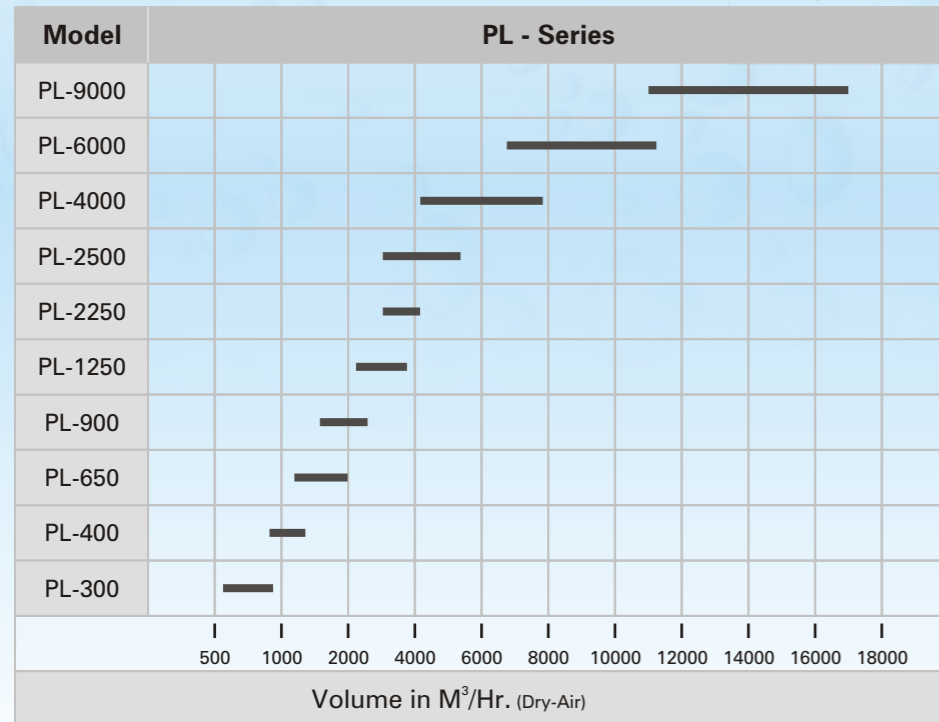
## Introduction

An improved concept in LIQUID RING TECHNOLOGY developed by highly technical and experienced engineers solely engaged in manufacturing of VACUUM PUMPS, labelled PPI. These pumps are designed to handle water, liquid, air, gas, etc. They are used in industries like Paper, Sugar Mills and Refineries, Coal washeries and Ash handling Plant in powerplants, Mines, Chemicals, Pharmaceuticals, Fertilizer, Asbestos, Oil refineries, Distilleries, Railways, Textile industries etc.

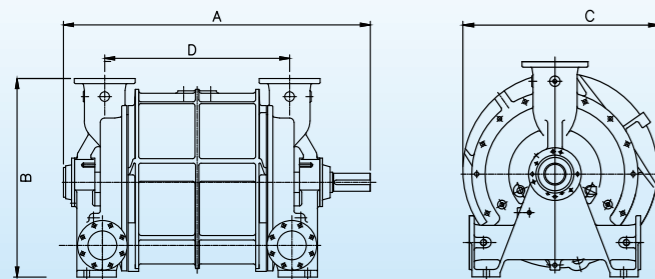


## PL - Series

Capacity	500 M <sup>3</sup> / Hr. to 17000 M <sup>3</sup> / Hr
K.W / H.P	15 kW (20 H.P) to 485 kW (650 H.P)
Vacuum	Upto 700 MM Hg.
Discharge Pressure up to	1.5 Kg/Cm <sup>2</sup>



Note: The capacity range & vacuum is mentioned considering 30 degree seal water temperature, exact specification can be obtain after enquiry



Model	Dim in mm				Flanges	
	A	B	C	D	Suction	Discharge
PL - 300	902	483	394	448	3"	2.5"
PL - 400	1026	571	495	540	4"	3"
PL - 650	1219	660	609	678	5"	4"
PL - 900	1384	809	762	739	6"	4"
PL - 1250	1508	914	838	908	6"	5"
PL - 2250	1660	914	838	1058	6"	5"
PL - 2500	1727	1117	1003	1030	8"	6"
PL - 4000	1955	1244	1209	1314	10"	8"
PL - 6000	2413	1927	1467	1429	12"	10"
PL - 9000	2413	2302	1785	1562	14"	12"

Note: All dimensions are in mm and subject to change without notice.

## Wide Choice of Material

Type	Material
A	Complete Cast Iron
C	Partial Stainless steel
S	Complete Stainless steel

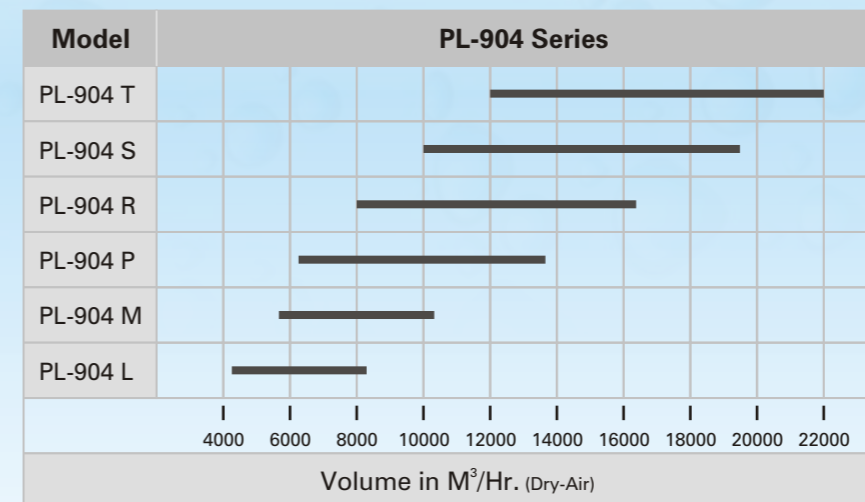
Or as per customers requirements

## Applications

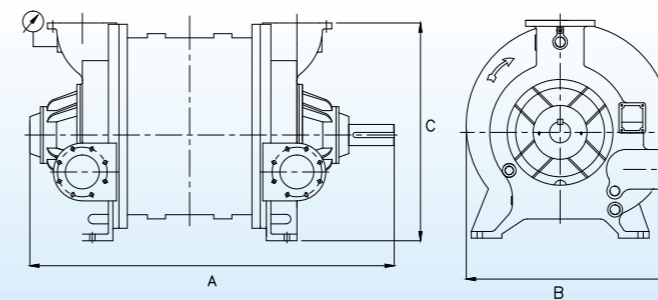
- Vacuum Filtration
- Moisture Extraction
- Evaporation
- Vacuum Distillation
- Vacuum Condensation
- Removing Water from Paper Pulp
- Ash handling
- Recovery plant in paper
- Mineral benification

## PL - 904 Series

Capacity	5000 M <sup>3</sup> / Hr. to 22000 M <sup>3</sup> / Hr
K.W / H.P	110 kW (150 H.P) to 600 kW (800 H.P)
Vacuum	Upto 700 MM Hg.
Discharge Pressure up to	1.5 Kg/Cm <sup>2</sup>



Note: The capacity range & vacuum is mentioned considering 30 degree seal water temperature, exact specification can be obtain after enquiry



Model	Dim in mm			Flanges	
	A	B	C	Suction	Discharge
PL - 904 L	2188	1245	1308	10"	8"
PL - 904 M	2391	1245	1308	10"	8"
PL - 904 P	2559	1480	1556	12"	10"
PL - 904 R	2788	1480	1556	12"	10"
PL - 904 S	2985	1765	1854	14"	12"
PL - 904 T	3162	1765	1854	14"	12"

Note: All dimensions are in mm and subject to change without notice.



## **PPI PUMPS PVT. LTD.**

ISO 9001:2008 Certified

14 & 16 E, Phase I, G.I.D.C. Estate,  
Vatva, Ahmedabad - 382445 India

Phone : +91-79-25832273/4

Fax : +91-79-25830578

E-mail : [sales@ppipumps.com](mailto:sales@ppipumps.com)

[www.ppipumps.com](http://www.ppipumps.com)

### **Branch Offices**

Delhi • Mumbai • Bangalore • Chennai  
Indore • Kolkata • Hyderabad  
Gajraula • Meerut